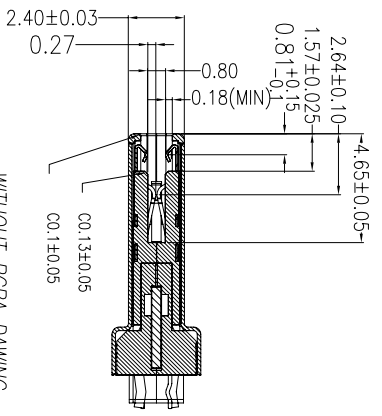
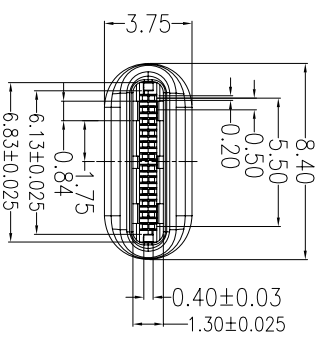
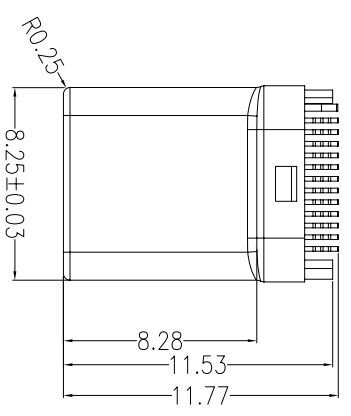
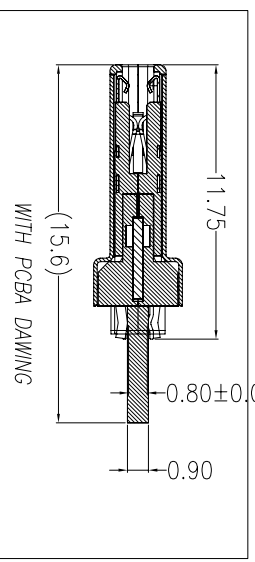
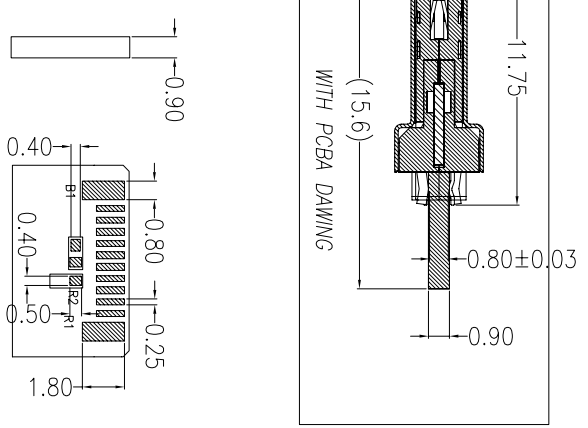
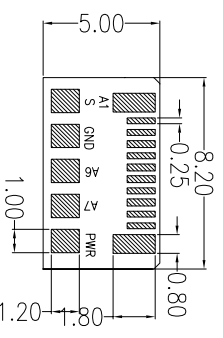


LTR	DESCRIPTION	REV.	SIGN	DATE
△	-	A0		

SPECIFICATION
MATERIAL
 See drawing
STANDARD DATA
 Rating current: 50A
ELECTRICAL
 Insulator resistance: 100Mohms Min.
 Withstanding voltage: 100 VAC / minute
 Contact resistance: 40mohms Max.
MECHANICAL
 Mating force: 5~20N Max.
 Umating force : 8~20N Min.
 Durability: 10,000 cycles Min.

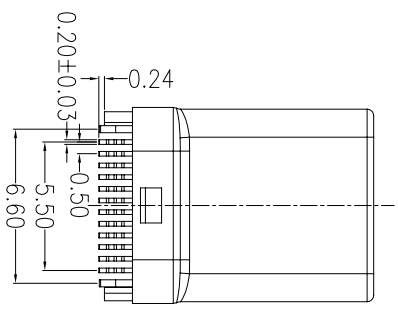


WITHOUT PCBA DAWING



RECOMMENDED P.C.B LAYOUT
 ALL TOLERANCE ±0.05mm

A12	A11	A10	A9	A8	A7	A6	A5	A4	A3	A2	A1
GND	RX2+	RX2-	Vbus	SBU1	D-	D+	CC	Vbus	TX1-	TX1+	GND
GND	TX2+	TX2-	Vbus	SBU2	D-	D+	CC	Vbus	RX1-	RX1+	GND
B1	B2	B3	B4	B5	B6	B7	B8	B9	B10	B11	B12



电阻规格类型	
1	USB 3.1 C TYPE-PCB FOR 2.0+10K次 电阻(RI) FOR USB 2.0 A/M
2	USB 3.1 C TYPE-PCB FOR 2.0+5.1K次 电阻(R2) FOR Micro usb Male type

ITEM	PARTS NAME	Q'TY	MATERIAL	FINISH/REMARK
1	SHELL	1	STAINLESS	NI:50u"
2	Molding HOUSING	2	SYNTHETIC RESIN	SEE COLOR SCHEME
3	GND SPRING	2	STAINLESS	NI:50u"
4	Insert molding 12PIN	2	SYNTHETIC RESIN	SEE COLOR SCHEME
5	CONTACT	24	COPPER ALLOY	SEE TABLE 1
6	LATCH	1	STAINLESS	NI:50u"
7	SHELL COVER	1	HIGH CARBON STEEL	NI:50u"

QUALITY SYMBOLS		GENERAL TOLERANCES (UNLESS SPECIFIED)		SCALE		NUMBER		TITLE	
SYMBOL	VALUE	MM	INCH	1:1				USB 3.1 TYPE-C PLUG CONN	
▲	0	±0.10	±---	MATERIAL:	DATE:	DRAWN BY:	DATE:	DRAWING PROJECT	
▽	0	±0.15	±---	DATE:	DATE:	CHECKED BY:	DATE:	THIRD ANGLE REVERSE ON CAD ONLY	
◇	0	±0.20	±---	DATE:	DATE:	APPROVED BY:	DATE:	PROJECTION	
◇	0	±0.25	±---	DATE:	DATE:	PART NO.:	DWG NO.:	SHEET NO.:	
◇	0	ANGULAR	± 3'	DATE:		DATE:		1/1	

DSHCONN

SHEZHEN DSHCONN TECHNOLOGY CO.LTD.

A4