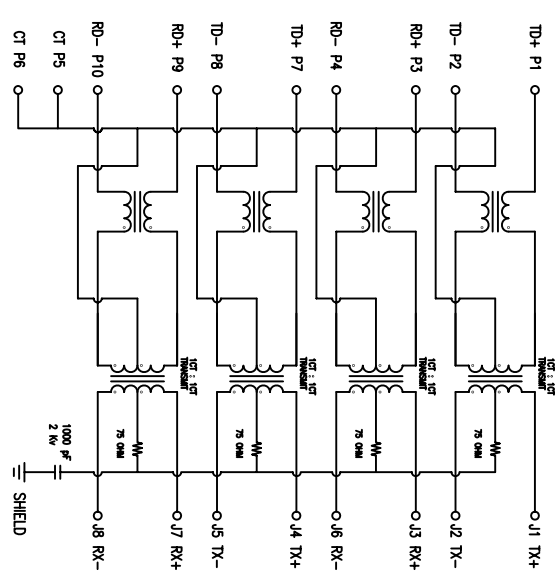
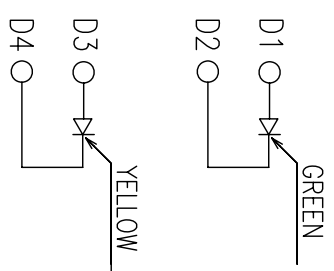
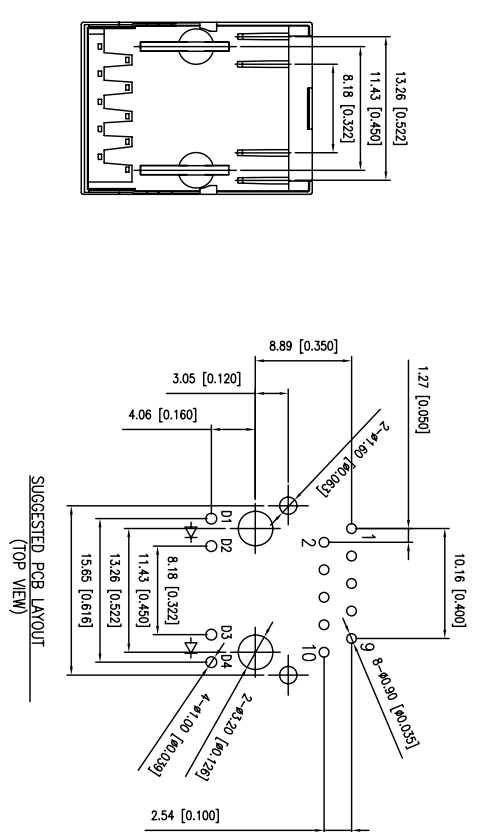
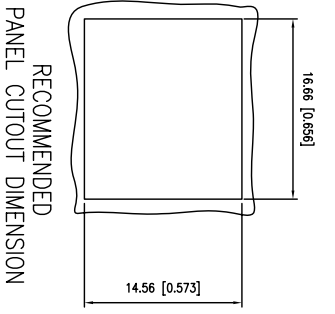
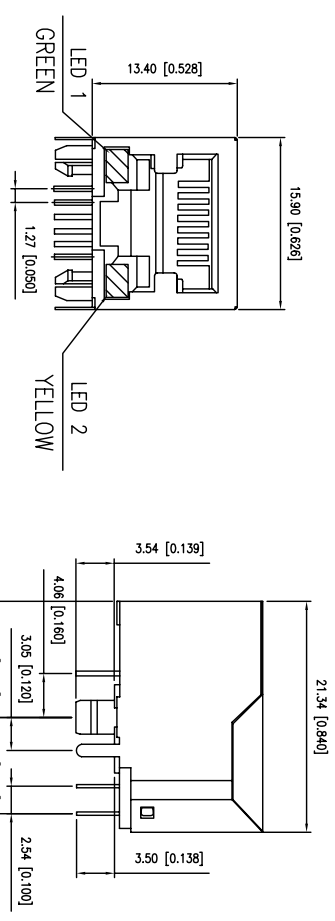


LTR	DESCRIPTION	REV.	SIGN	DATE
Δ	-	A0		

ELECTRICAL SPECIFICATIONS @ 25°C+/-5°C unless otherwise noted:

Insertion Loss: 1-100MHZ -1.0dB MAX  
 Return Loss: 1-30MHZ -16.0dB MIN  
                   30-60MHZ -14.0dB MIN  
                   60-80MHZ -10.0dB MIN

Cross Talk: 1-30MHZ -40.0dB MIN  
                   30-60MHZ -35.0dB MIN  
                   60-80MHZ -30.0dB MIN



CMR: 1-100MHZ -35.0dB MIN  
 HI-Pot: 1500V AC 6S 1mA  
 OCL: 350uH MIN @ 100KHZ 100mV 8mA DC  
 Turn Ratio: 1CT:1CT+/-3% Housing Material: PBT Black  
 Operating temperature range: 0°C to +70°C  
 Contacts: 0.35mm thick phos bronze plated with 6u' gold in contact area

QUALITY SYMBOLS	GENERAL TOLERANCES (UNLESS SPECIFIED)	SCALE	NUMBERS	TITLE:																														
▲+0 ▽C/±0	<table border="1"> <tr> <td>4 PLACE</td> <td>±0.10</td> <td>±</td> <td>MM</td> <td>INCH</td> </tr> <tr> <td>3 PLACE</td> <td>±0.15</td> <td>±</td> <td></td> <td></td> </tr> <tr> <td>2 PLACE</td> <td>±0.20</td> <td>±</td> <td></td> <td></td> </tr> <tr> <td>1 PLACE</td> <td>±0.25</td> <td>±</td> <td></td> <td></td> </tr> </table>	4 PLACE	±0.10	±	MM	INCH	3 PLACE	±0.15	±			2 PLACE	±0.20	±			1 PLACE	±0.25	±			1:1		SHENZHEN DSHCONN TECHNOLOGY CO.,LTD.										
4 PLACE	±0.10	±	MM	INCH																														
3 PLACE	±0.15	±																																
2 PLACE	±0.20	±																																
1 PLACE	±0.25	±																																
<table border="1"> <tr> <td>DATE</td> <td>2011/05/07</td> <td>DATE</td> <td>2011/05/07</td> </tr> <tr> <td>DESIGNED BY</td> <td>LIU</td> <td>CHECKED BY</td> <td>LIU</td> </tr> <tr> <td>APPROVED BY</td> <td></td> <td>DATE</td> <td>2011/05/07</td> </tr> </table>		DATE	2011/05/07	DATE	2011/05/07	DESIGNED BY	LIU	CHECKED BY	LIU	APPROVED BY		DATE	2011/05/07	<table border="1"> <tr> <td>DATE</td> <td>2011/05/07</td> <td>DATE</td> <td>2011/05/07</td> </tr> <tr> <td>DESIGNED BY</td> <td></td> <td>CHECKED BY</td> <td></td> </tr> <tr> <td>APPROVED BY</td> <td></td> <td>DATE</td> <td>2011/05/07</td> </tr> </table>		DATE	2011/05/07	DATE	2011/05/07	DESIGNED BY		CHECKED BY		APPROVED BY		DATE	2011/05/07	<table border="1"> <tr> <td>THIRD ANGLE PROJECTION</td> <td>REVERSE ON CAD ONLY</td> </tr> <tr> <td>DRAWING NO. 916208912113</td> <td>DWG NO. 916208912113</td> </tr> <tr> <td>SHEET NO. 1/1</td> <td></td> </tr> </table>	THIRD ANGLE PROJECTION	REVERSE ON CAD ONLY	DRAWING NO. 916208912113	DWG NO. 916208912113	SHEET NO. 1/1	
DATE	2011/05/07	DATE	2011/05/07																															
DESIGNED BY	LIU	CHECKED BY	LIU																															
APPROVED BY		DATE	2011/05/07																															
DATE	2011/05/07	DATE	2011/05/07																															
DESIGNED BY		CHECKED BY																																
APPROVED BY		DATE	2011/05/07																															
THIRD ANGLE PROJECTION	REVERSE ON CAD ONLY																																	
DRAWING NO. 916208912113	DWG NO. 916208912113																																	
SHEET NO. 1/1																																		